

CounterBalance®

ADA Bracket

CCH-CBADA21BL-IM

COUNTER

BALANCE®

The support you don't see.

Installation Instructions

The CounterBalance® ADA Vanity Bracket is the handicap accessible solution for those tired of hitting their knees on most other sink fixtures.

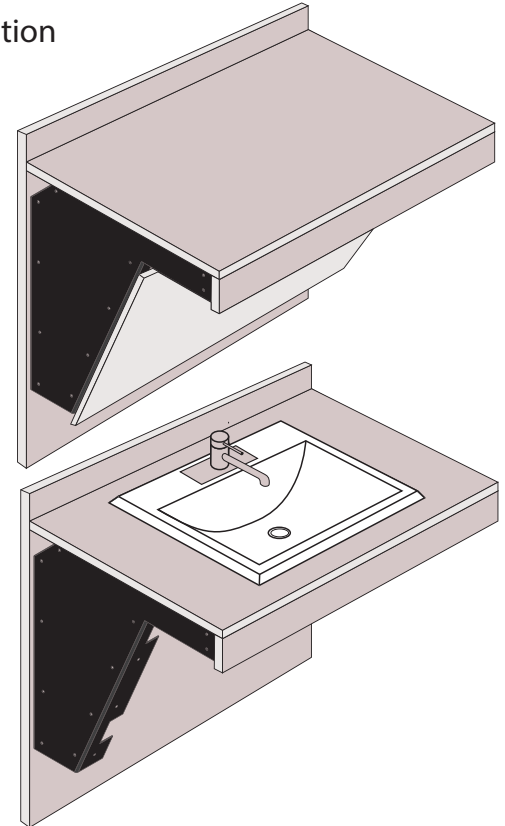
ADA Bracket Install

- 1) Mount ADA Brackets to the wall securing it to meet local building code required loading requirements for the vanity front edge.

Note: Double studs or metal mounting plates are recommended for a stronger installation.

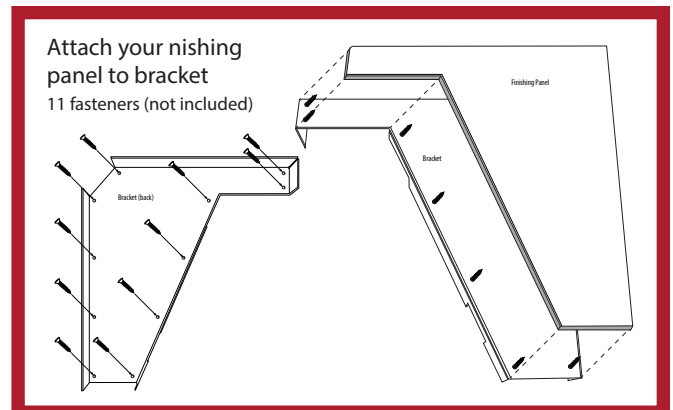
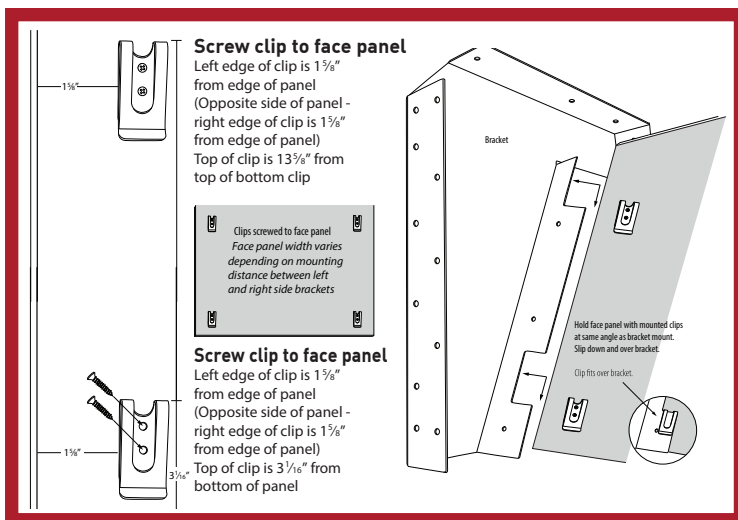
Note: Use ADA bowls when using the ADA Brackets

- 2) Install Spring Clips to the back of the Face Board
- 3) Spring Clips should be installed with 12 ¾ inches between the top of the top bracket and the top of the bottom bracket.
- 4) There will be some side to side allowance on the clip installation
- 5) Be sure to allow 1" clearance between the top of your Face Board and the bottom of the top portion of the bracket to allow the Face Board to slide up for removal



ADA Bracket Spring Clip Installation Instructions Optional Finishing Panel Installation

(clips & screws supplied with brackets)



ISFA
INTERNATIONAL SURFACE FABRICATORS ASSOCIATION



Order online at counterbalanceshop.com or call 1.800.220.1966

These are general guidelines for installation methods, and may not apply to your application. Always consult a qualified contractor and follow their recommendations for proper installation.

Chemical Concepts
410 Pike Road
Huntingdon Valley, PA 19006