

COUNTER

BALANCE®

The support you don't see.

21" and 23" ADA Vanity Bracket SPRING CLIPS AND SCREWS PROVIDED

Bracket Size	21" ADA Size Pcs/Wgt/Box*	23" ADA Size Pcs/Wgt/Box*
US ADA	2pcs/25 lbs	2pcs/32 lbs
US ADA Stainless	2pcs/25 lbs	2pcs/32 lbs
Imported ADA	2pcs/25 lbs	2pcs/32 lbs
Imported ADA Stainless	2pcs/25 lbs	2pcs/32 lbs
Imported ADA Aluminum	2pcs/25 lbs	2pcs/32 lbs

ADA VANITY BRACKET FEATURES

- Available in Made in the USA or Imported
- 12 Gauge Steel offers superior strength
- Available in Black, White, Primer, Stainless Steel and Aluminum (Import Only)
- Optional mounting holes on the side of Black Brackets to install your finishing panel if desired
- Accommodates: (23") 24" to 26" tops (21") 22" to 24" tops
- Spring clips & screws provided for easy on/off front skirt attachment
- No visible fasteners
- No tools required to remove & reinstall skirt
- Mounting holes provided for skirt if you do not wish to use spring clips
- 3x3 cut out for wall cleat & wire run clearance
- Load limit range of (23") 940 lbs to 1900 lbs (21") 860 lbs to 1560 lbs per pair

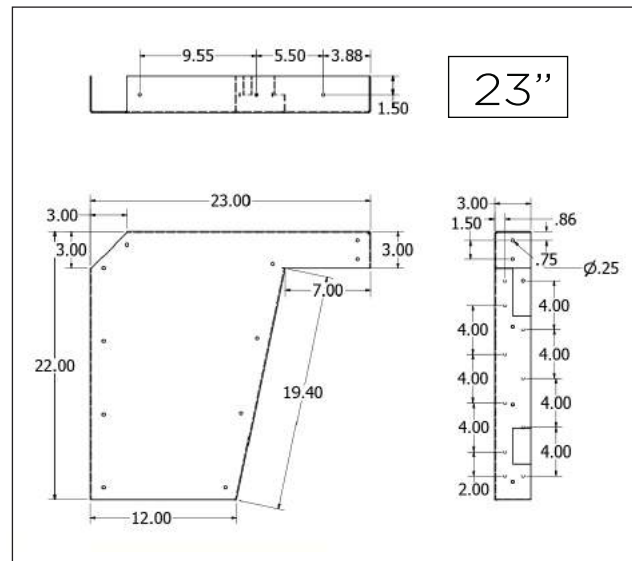
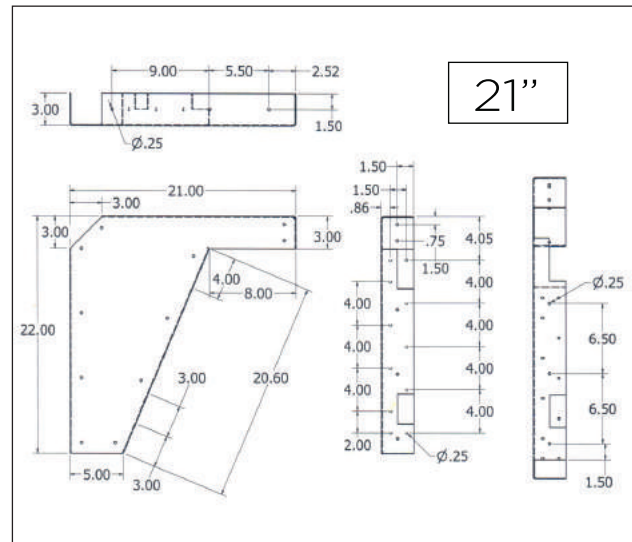
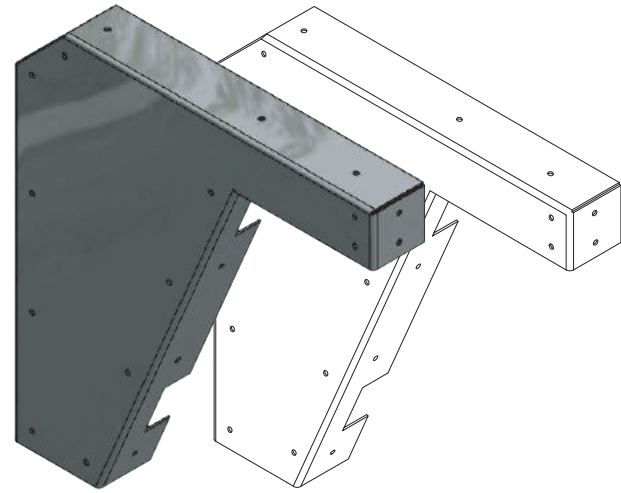
Formica color matches: Black 909-58 White 933-58 Primer



ADA Vanity Bracket 21" and 23"

ADA VANITY BRACKETS

21" and 23"



Order online at www.chemical-concepts.com or call 1.800.220.1966